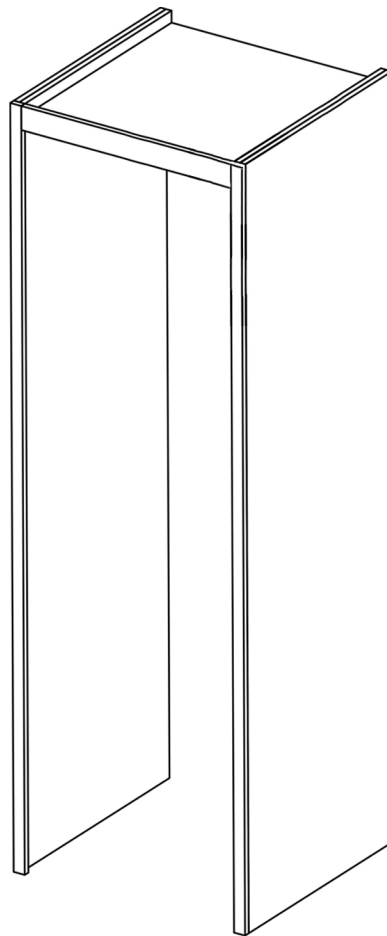


OUT OF SIGHT AND OUT OF THE WAY![®]

Cabinet Design



For All
Versions

SCAN CODE WITH PHONE CAMERA BELOW FOR ADDITIONAL HELP

Watch an instructional video on DryAway.net



DryAway.NET

Tap. Zoom. Rotate with the interactive instructions on the BILT app

BILT.



Cabinet Design

(Cabinet Not Included)

 **IMPORTANT! 2 frame ceiling hardware must be installed while building the cabinet or closing off the space**

The following cabinet design is the most functional, efficient, and easy way to build a cabinet to house DryAway (not the only way). The cabinet that houses DryAway is best constructed with parts instead of building out a typical cabinet box. DryAway does not require a cabinet, but most installations use either a traditional or frameless style cabinet.

Cabinet Basics

Mount to a 3/4" Thick Panel. DryAway mounts from the top of the product to a 3/4" solid panel above and needs to be well supported to hold up the amount of DryAway frames installed (consider 2 frames equals 25 lb. plus the weight of clothes). The product hardware includes mounting screws that when secured to a 3/4" solid panel will adequately hold DryAway up to the mounting surface.

No Cabinet Base. A typical cabinet base will push the clothes drying up 3-4 inches which is small but critical vertical height lost. A design without the cabinet base (toe kick) still provides a high end finished look with the flooring continuing under the cabinet.

No Doors. To guarantee proper drying no doors should be used. Closing off the cabinet will not allow proper evaporation of moisture. Retractable doors or perforated screens can be added but may impact drying time.

No Fans or Venting Needed. Clothes will dry pushed in at the same speed as clothes on a typical accordion rack in the middle of the same room.

Parts List

End Panels (2) (24" x 96" x 3/4") or (30" x 96" x 3/4")

Filler Board (3" x 6' x 3/4") - used to make cleats and front rail

Ceiling Panel (Width (based on version) x 24" x 3/4") or (30" x 3/4")

Crown Molding as desired

Cabinet Dimensions:

Depth - Building the cabinet to 24" or 30" allows for a ¾" back nailer board.

24" deep frames (actual 23-1/4" deep frames)

30" deep frames (actual 29-1/4" deep frames)

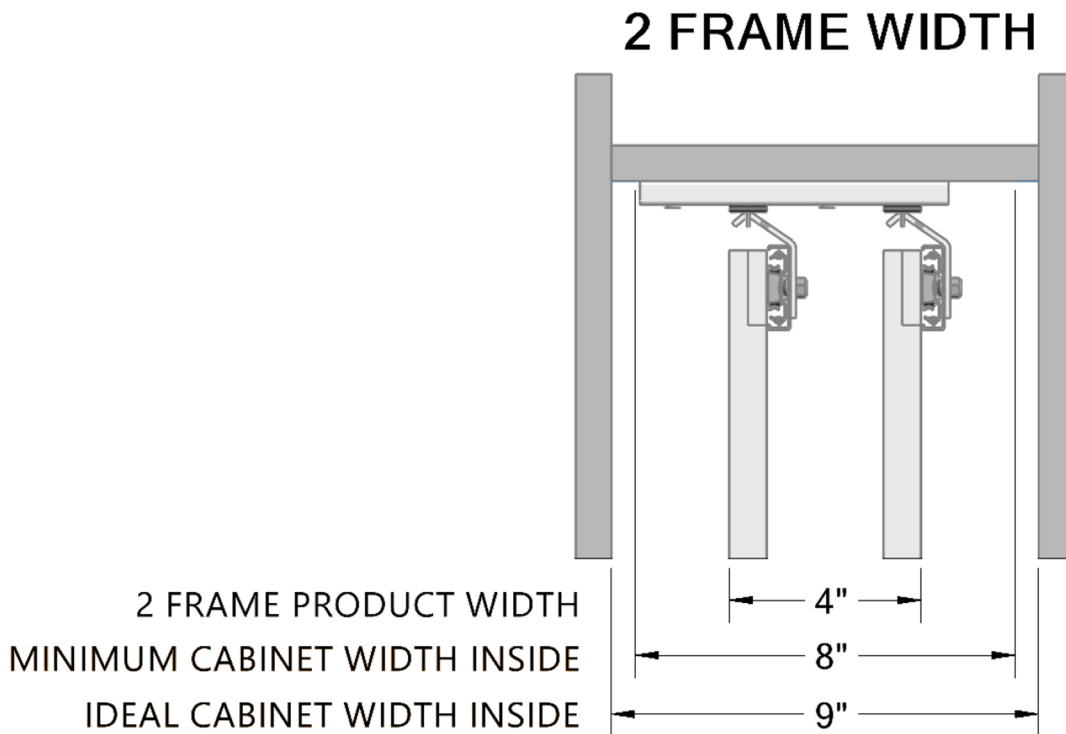
Height - Bottom of frame to mounting surface

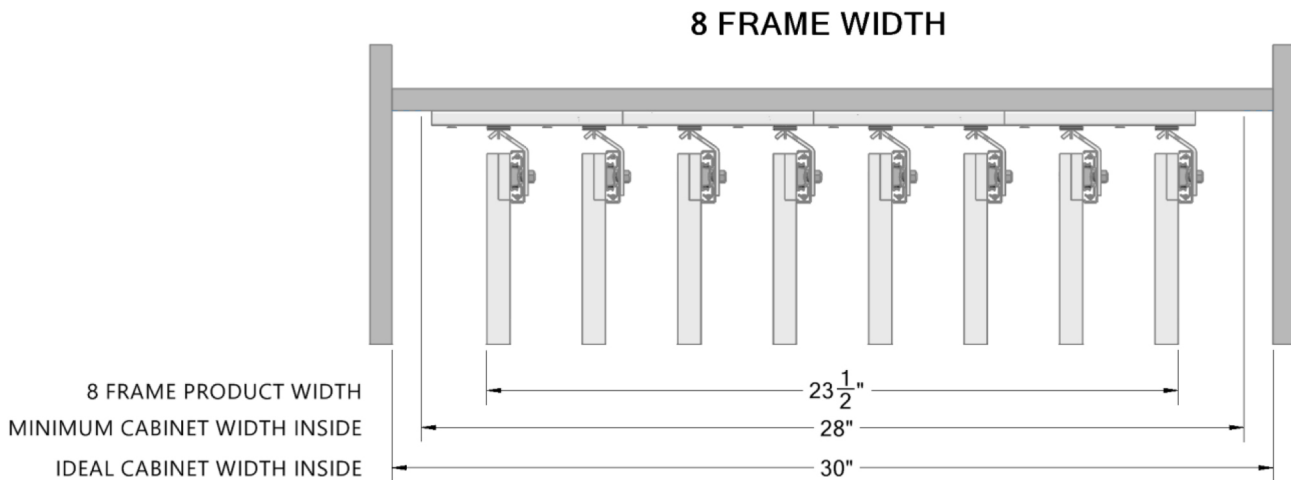
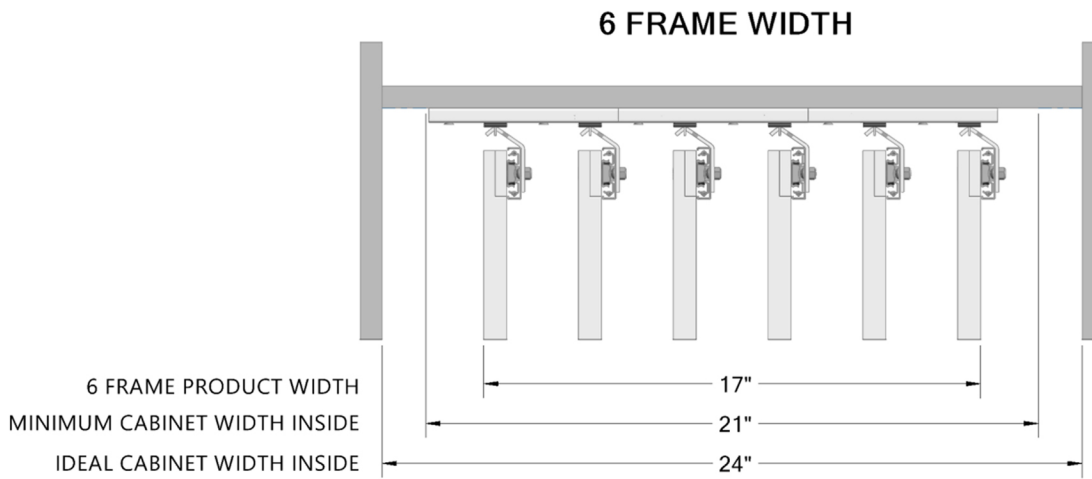
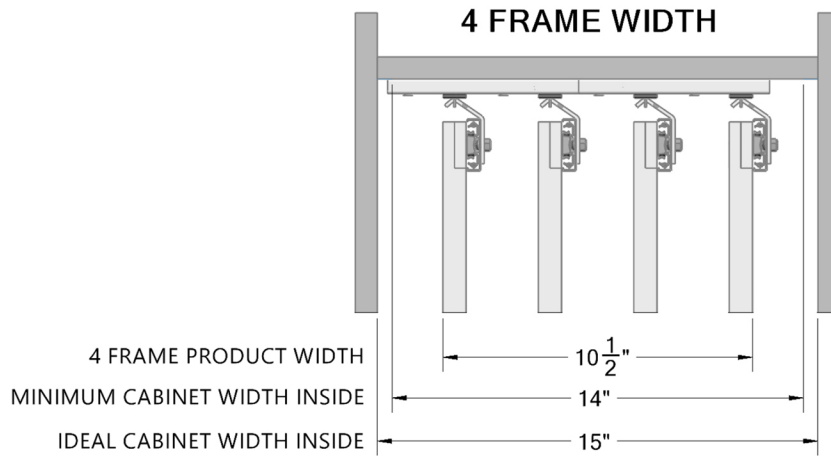
85" tall frames (87"-96" cabinet opening)

70" tall frames (72"-87" cabinet opening)

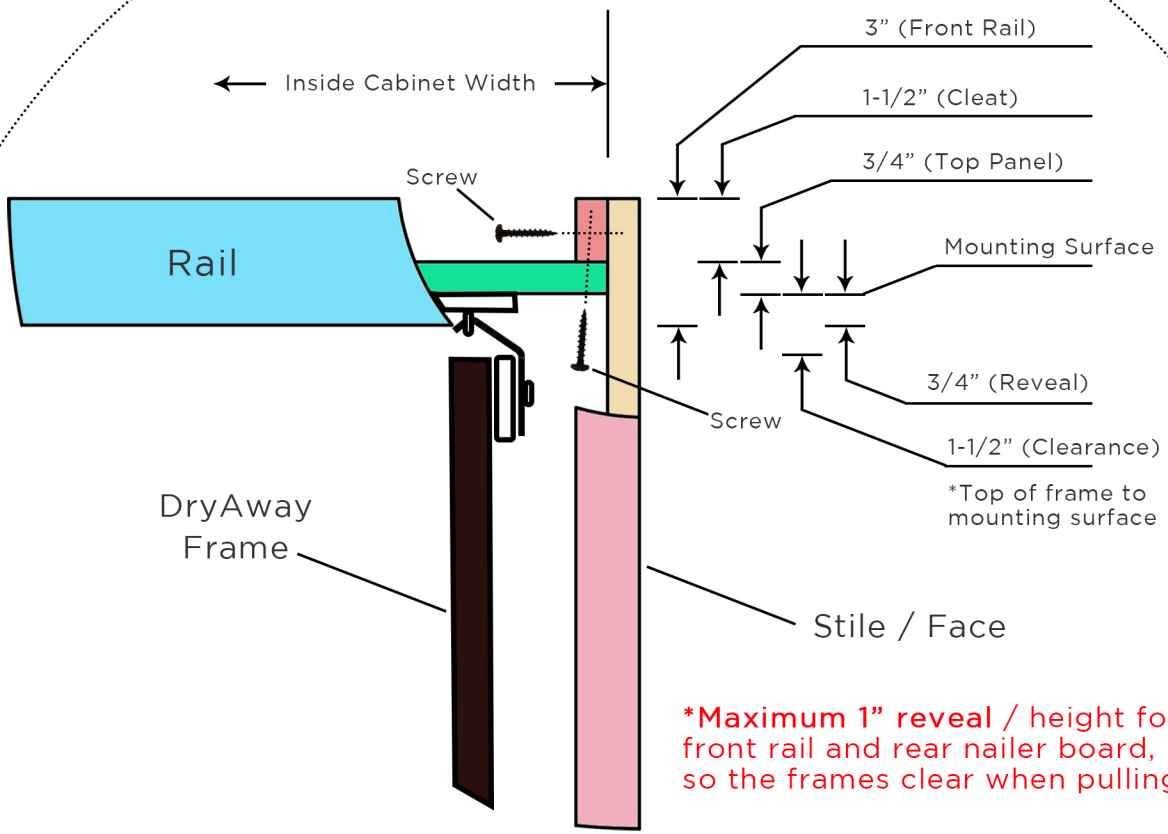
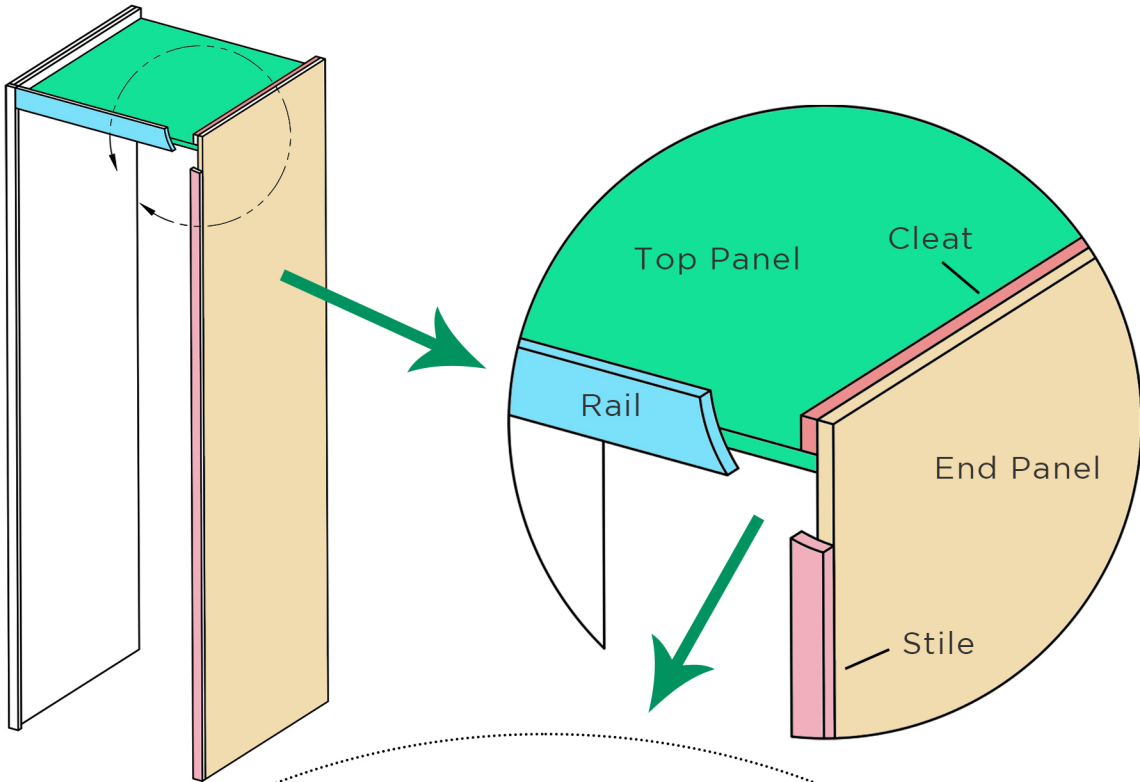
25" tall frames (typically for under or over counter installations)

Width - Brackets build out in pairs of 2-frames. See following diagrams for respective product width, minimum cabinet width inside and ideal cabinet width inside.





Cabinet Design (Cabinet Not Included)



***Maximum 1" reveal / height for both front rail and rear nailer board, if used, so the frames clear when pulling out.**

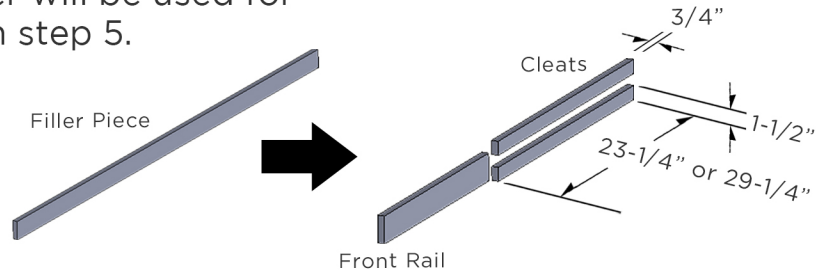
Cabinet Design (Cabinet Not Included)

Step 1

Cut End Panels to size planning for a mounting height (floor to underside of ceiling) between 87" and 96" for the 85" frames or between 72" and 87" for the 70" frames.

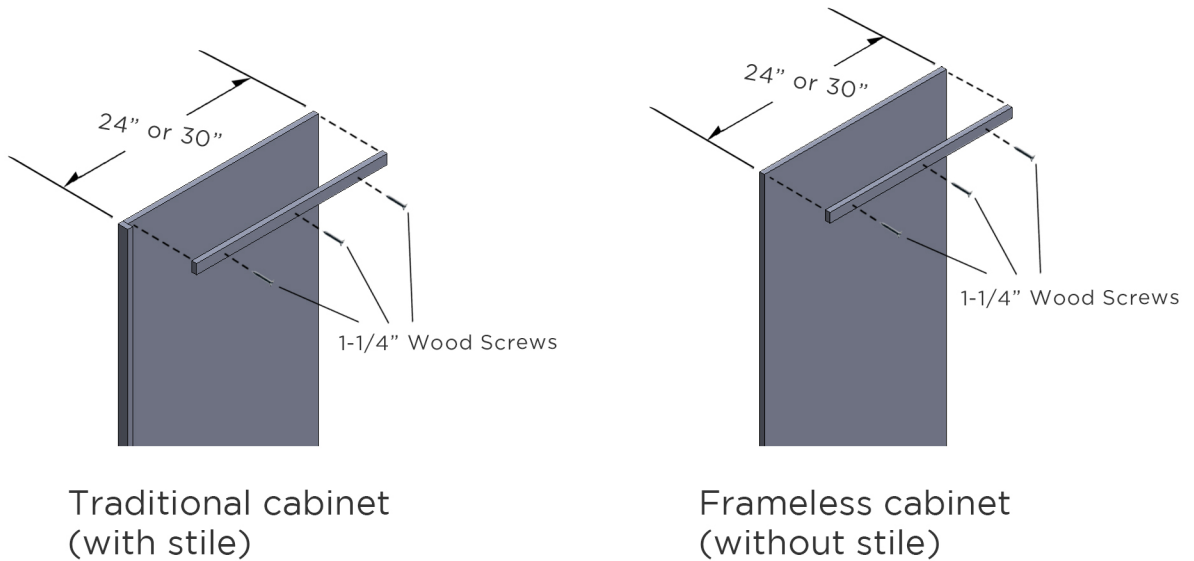
Step 2

For the 24" version, cut a 23-1/4" section off the 3" filler piece and rip it in half to make two cleats (30" version, cut a 29-1/4" section). The rest of the filler will be used for the top front rail in step 5.

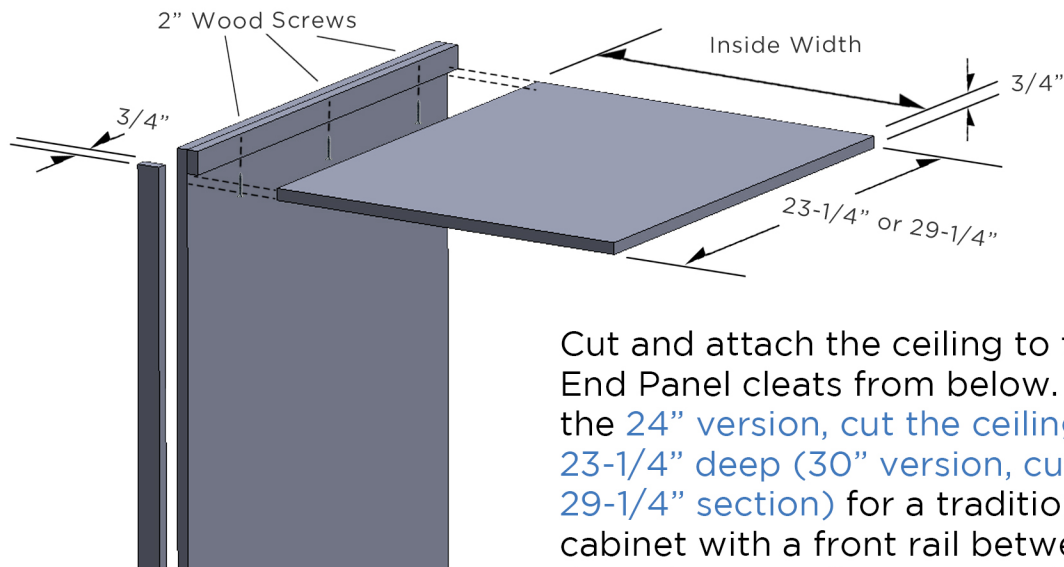


Step 3

Attach cleats to the end panels with 1-1/4" wood screws



Step 4



Ideal Inside Width

- 2 frame - 9"W
- 4 frame - 15"W
- 6 frame - 24"W
- 8 frame - 30"W

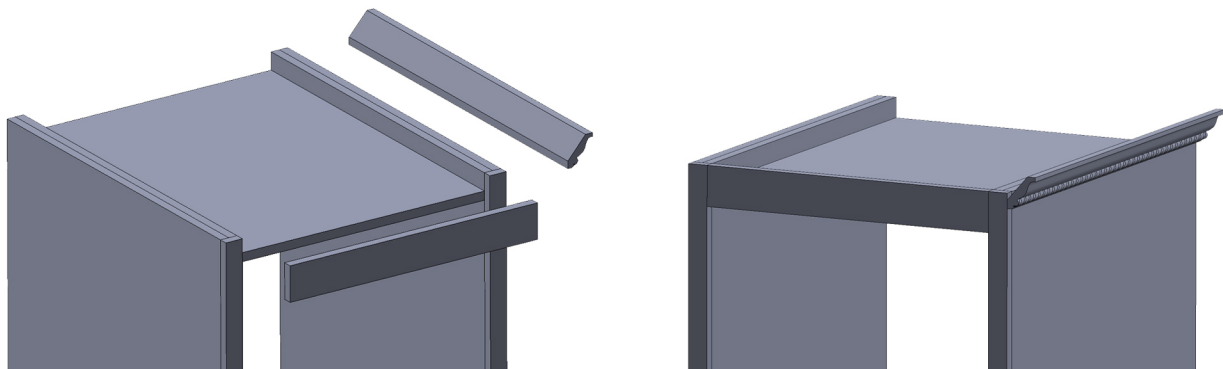
Cut and attach the ceiling to the End Panel cleats from below. For the 24" version, cut the ceiling to 23-1/4" deep (30" version, cut a 29-1/4" section) for a traditional cabinet with a front rail between the stiles. Initially secure with a nail gun but be sure to use 2" wood screws to provide vertical strength to support the load of DryAway hanging from the ceiling. Again, the ceiling must be made from a solid 3/4" thick material.

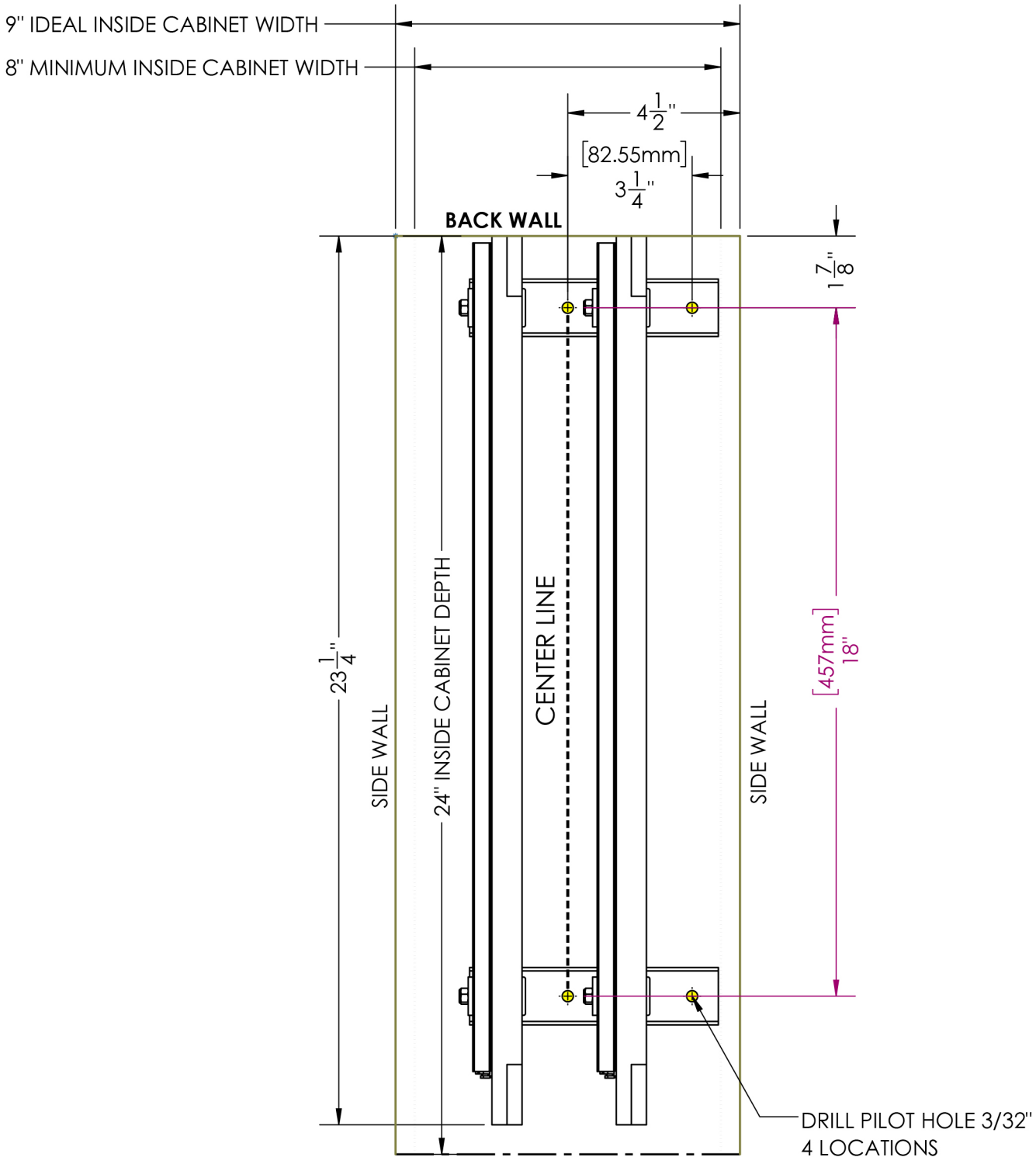


IMPORTANT! 2 frame ceiling hardware must be installed while building the cabinet or closing off the space

Step 5

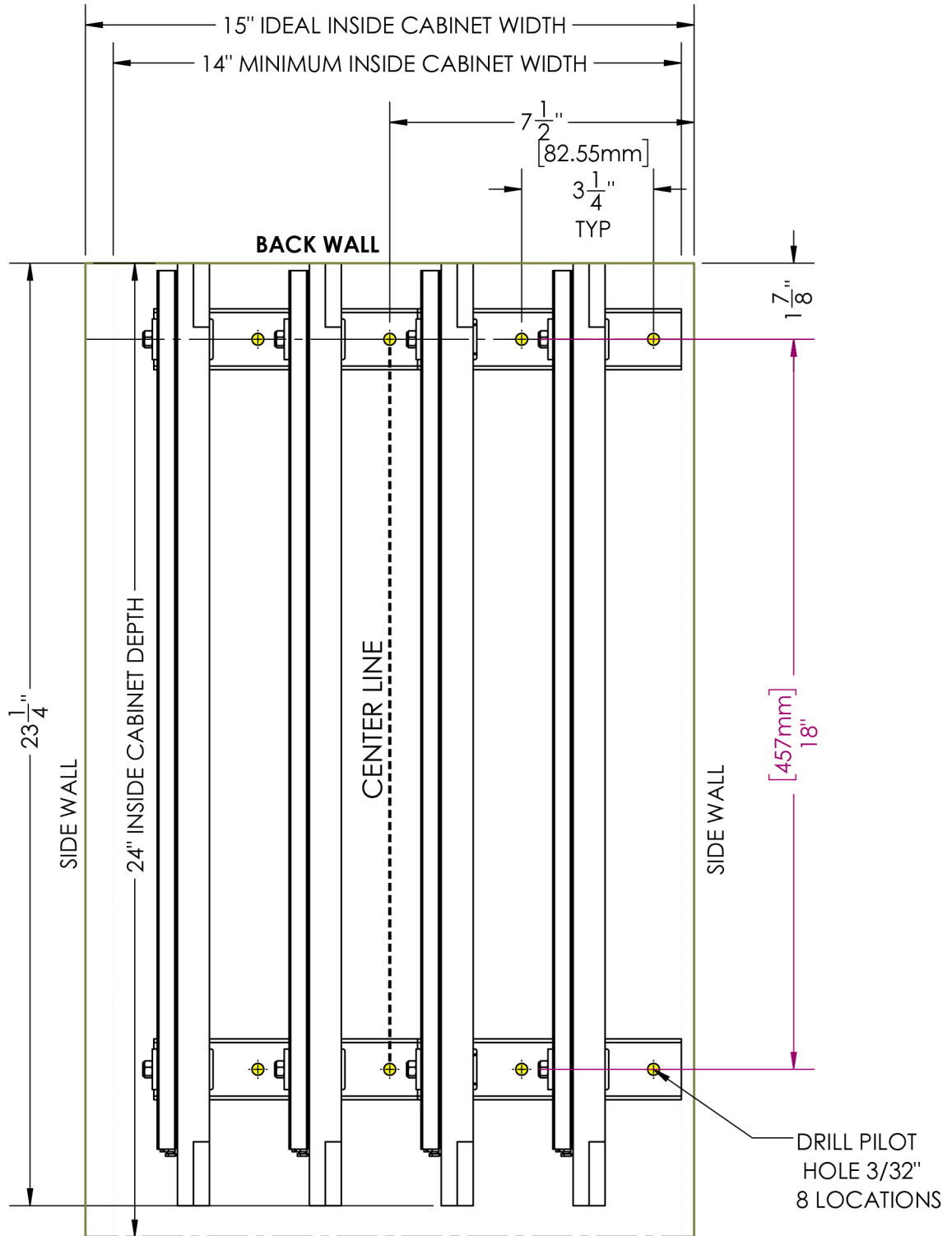
Cut and attach the top front rail to fit between the stiles. Add crown molding as desired.





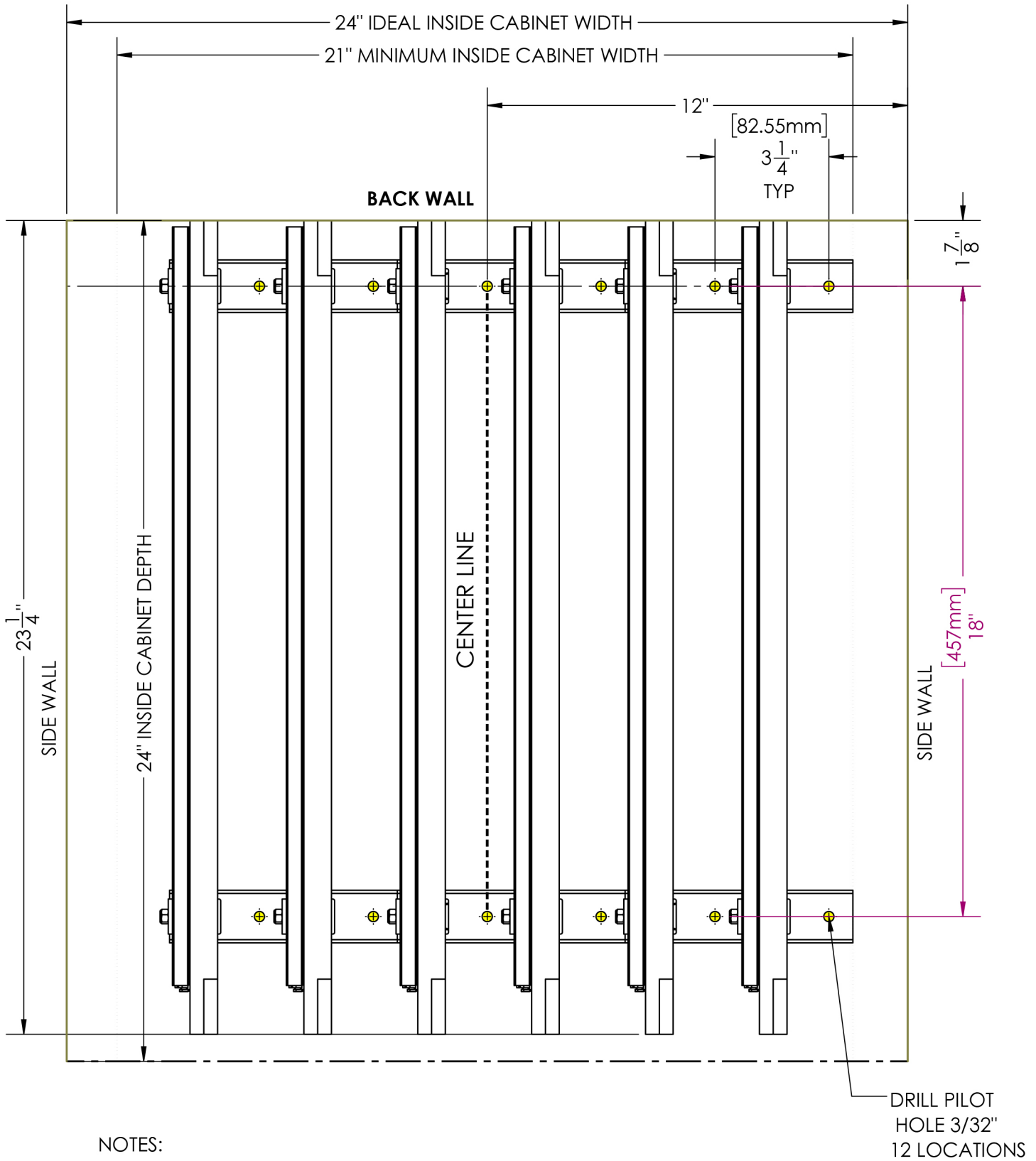
NOTES:

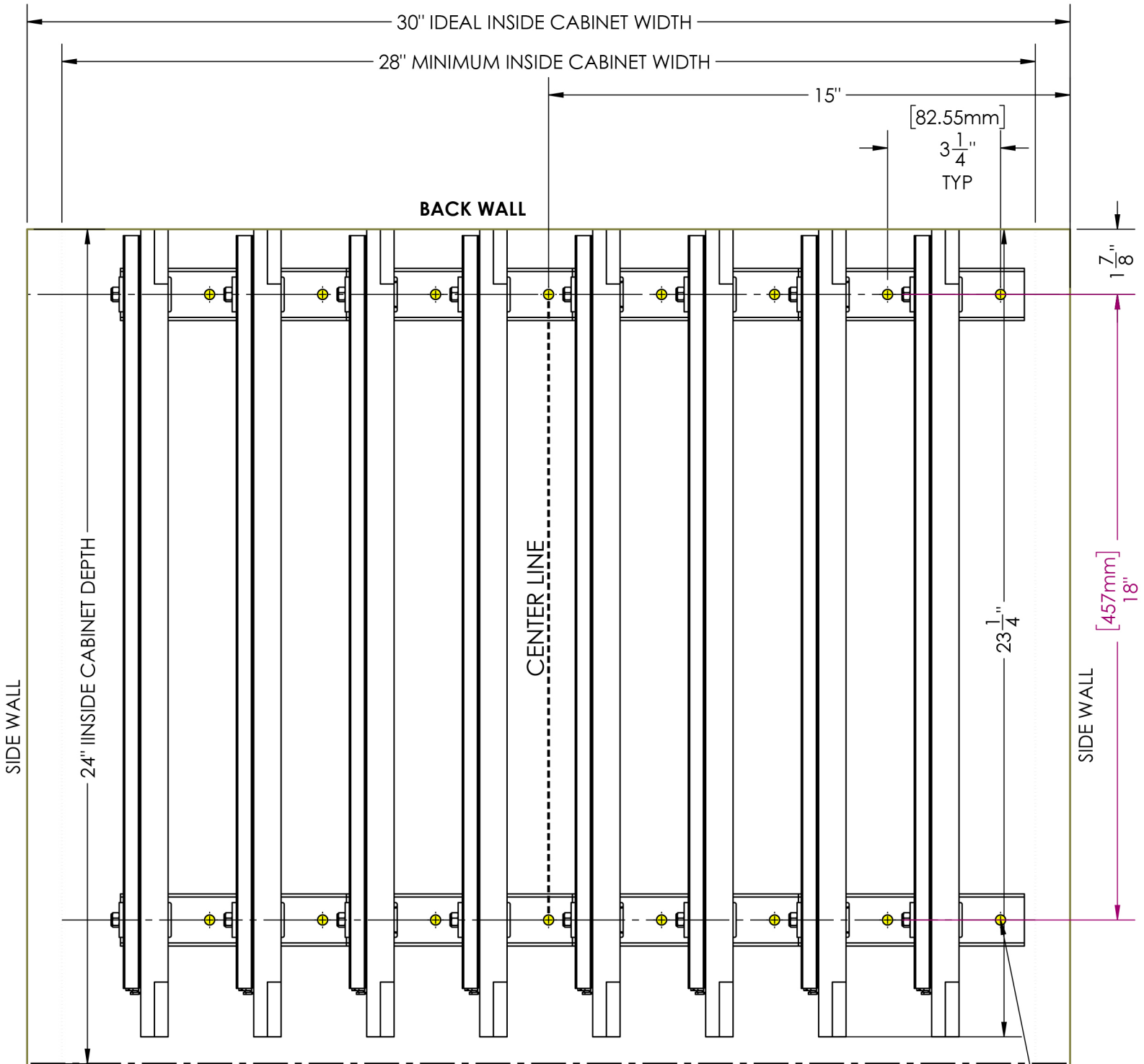
1. DRAWING VIEW LOOKING UP FROM BOTTOM TOWARDS CEILING
2. OPTIMAL MOUNTING HEIGHT FOR 85" TALL VERSION IS 87" TO 96"
3. OPTIMAL MOUNTING HEIGHT FOR 70" TALL VERSION IS 72" TO 87"
4. MAXIMUM 1" REVEAL ON HORIZONTAL RAIL



NOTES:

1. DRAWING VIEW LOOKING UP FROM BOTTOM TOWARDS CEILING
2. OPTIMAL MOUNTING HEIGHT FOR 85" TALL VERSION IS 87" TO 96"
3. OPTIMAL MOUNTING HEIGHT FOR 70" TALL VERSION IS 72" TO 87"
4. MAXIMUM 1" REVEAL ON HORIZONTAL RAIL



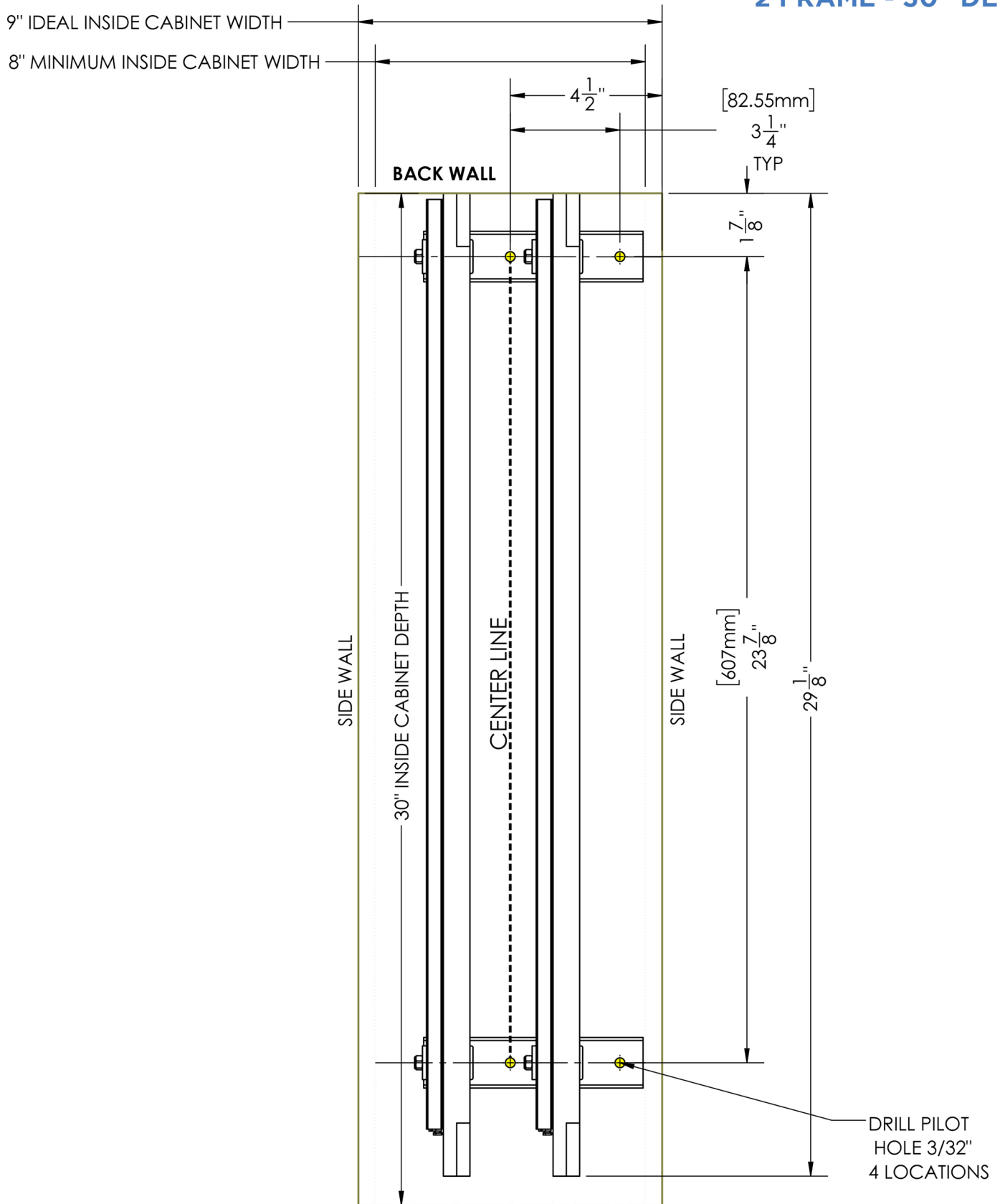


DRILL PILOT HOLE 3/32" 16 LOCATIONS

NOTES:

1. DRAWING VIEW LOOKING UP FROM BOTTOM TOWARDS CEILING
2. OPTIMAL MOUNTING HEIGHT FOR 85" TALL VERSION IS 87" TO 96"
3. OPTIMAL MOUNTING HEIGHT FOR 70" TALL VERSION IS 72" TO 87"
4. MAXIMUM 1" REVEAL ON HORIZONTAL RAIL

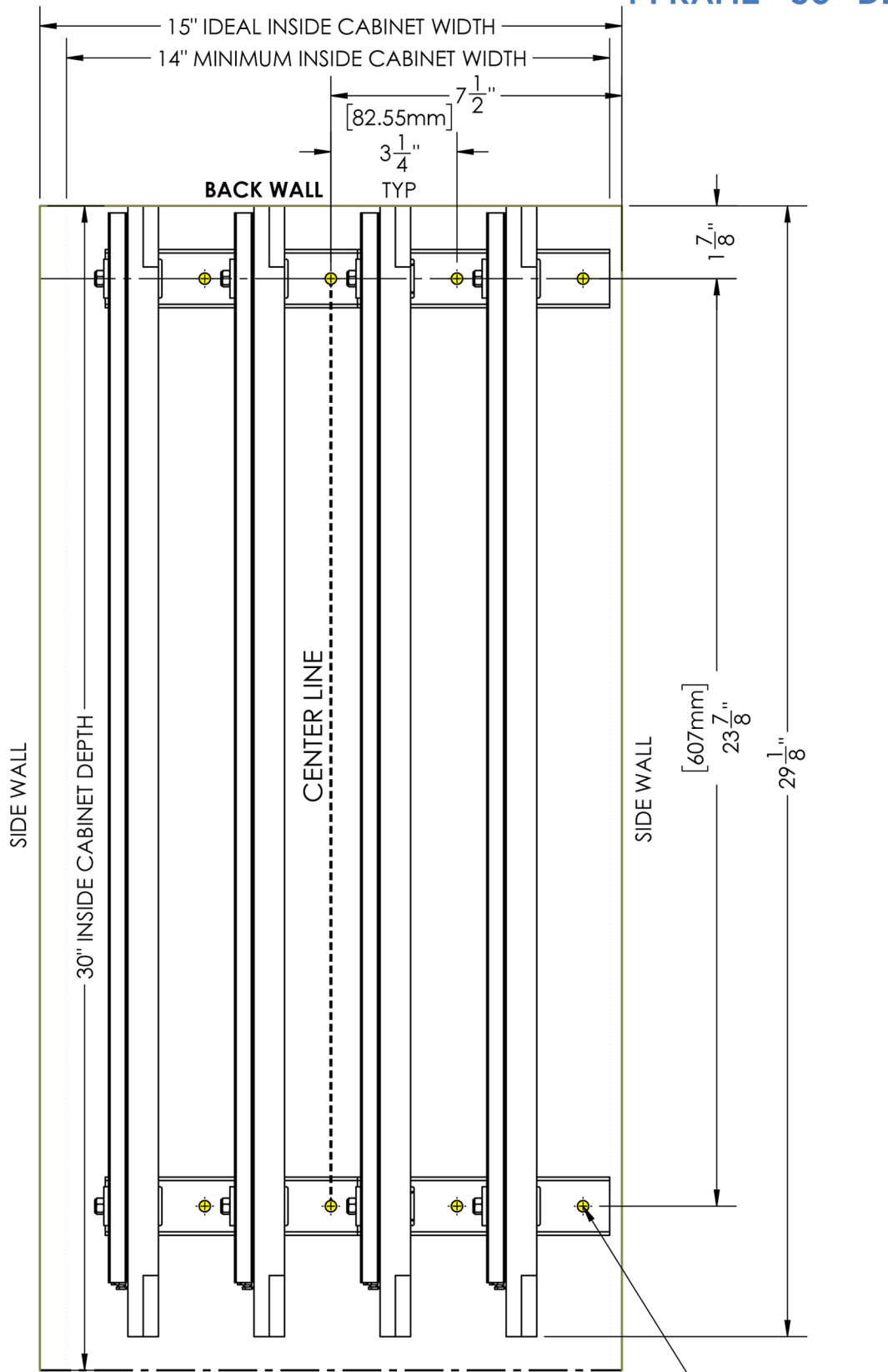
2 FRAME - 30" DEPTH



NOTES:

1. DRAWING VIEW LOOKING UP FROM BOTTOM TOWARDS CEILING
2. OPTIMAL MOUNTING HEIGHT FOR 85" TALL VERSION IS 87" TO 96"
3. OPTIMAL MOUNTING HEIGHT FOR 70" TALL VERSION IS 72" TO 87"
4. MAXIMUM 1" REVEAL ON HORIZONTAL RAIL

4 FRAME - 30" DEPTH

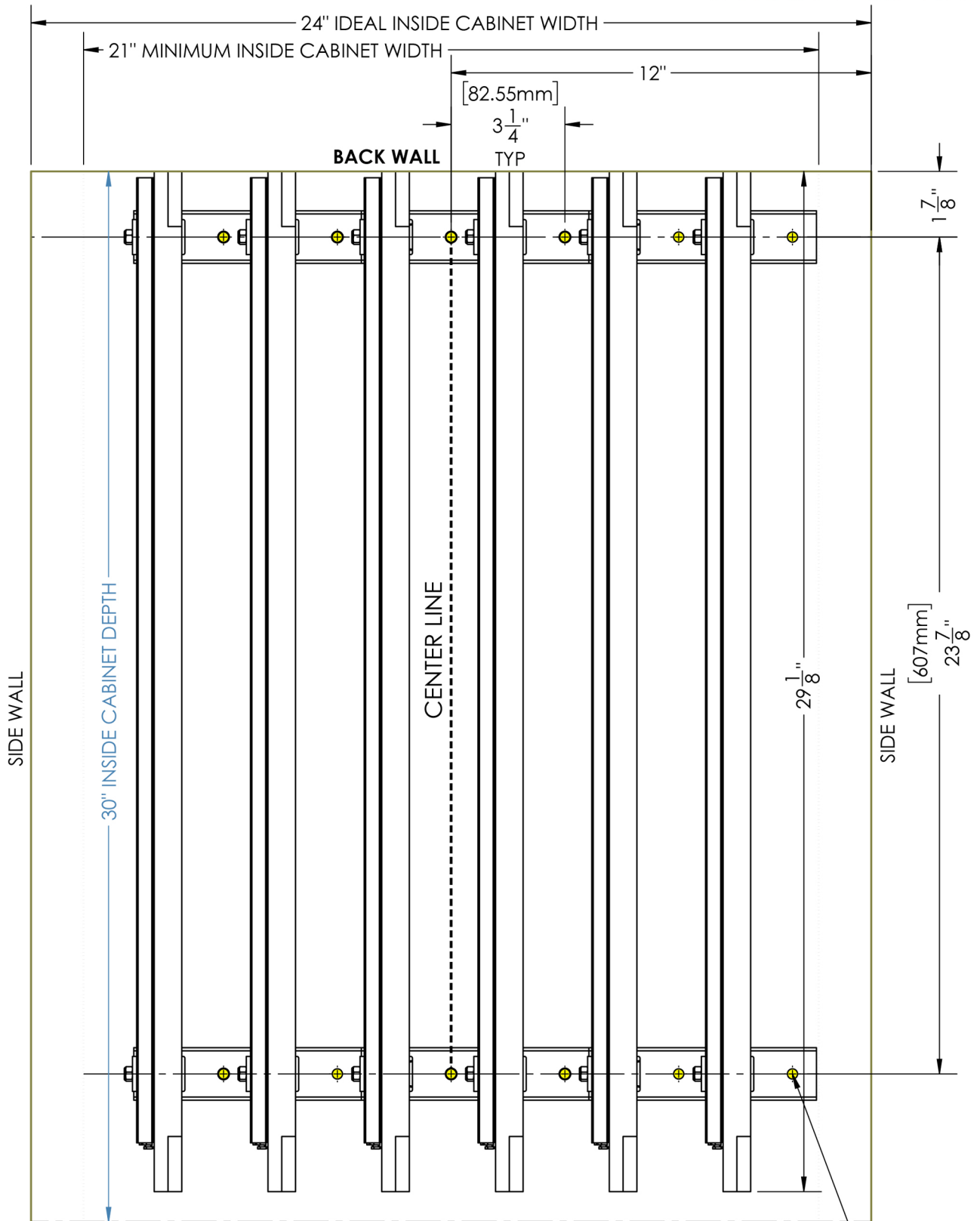


NOTES:

1. DRAWING VIEW LOOKING UP FROM BOTTOM TOWARDS CEILING
2. OPTIMAL MOUNTING HEIGHT FOR 85" TALL VERSION IS 87" TO 96"
3. OPTIMAL MOUNTING HEIGHT FOR 70" TALL VERSION IS 72" TO 87"
4. MAXIMUM 1" REVEAL ON HORIZONTAL RAIL

DRILL PILOT HOLE 3/32" 8 LOCATIONS

6 FRAME - 30" DEPTH

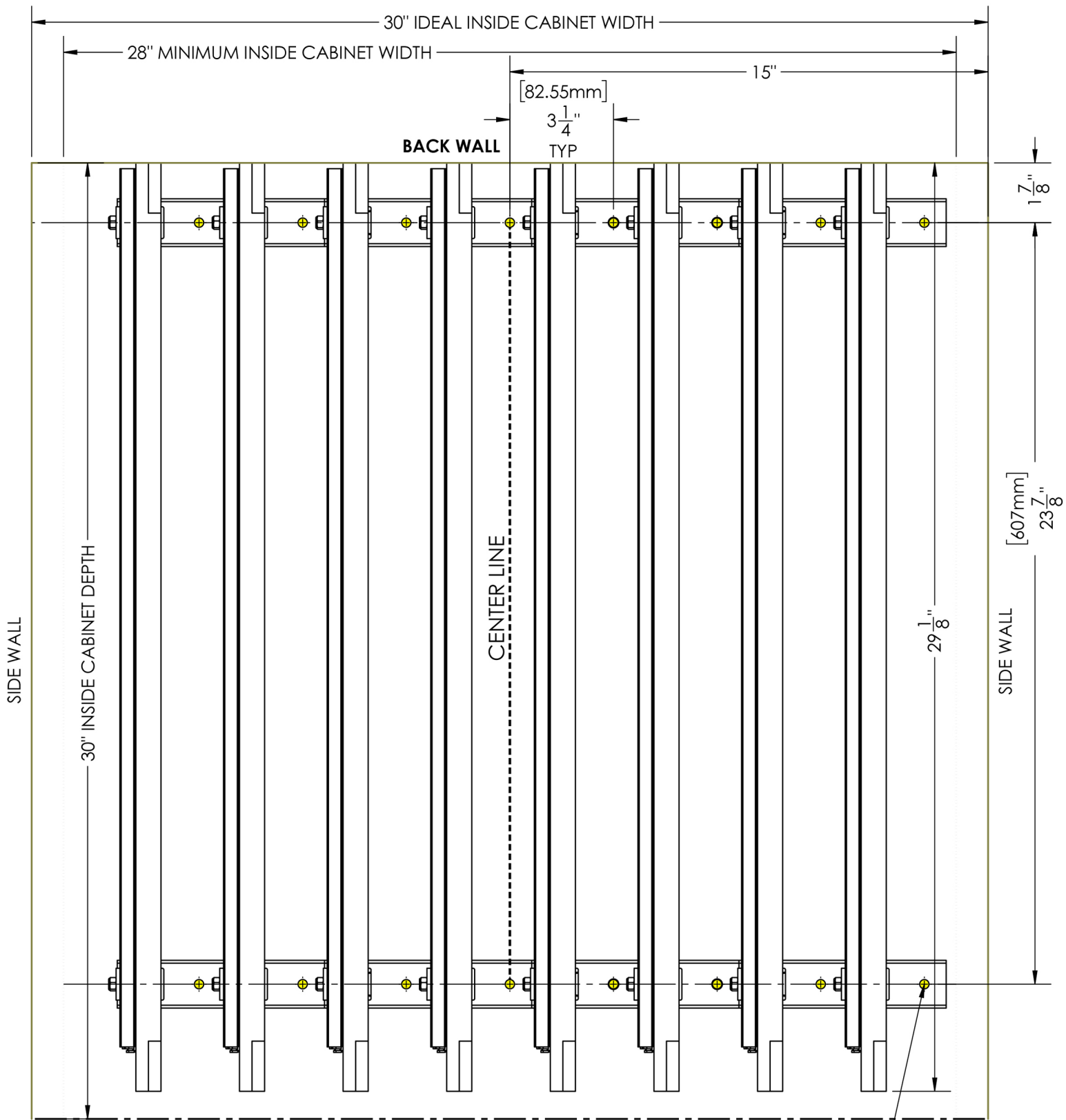


NOTES:

1. DRAWING VIEW LOOKING UP FROM BOTTOM TOWARDS CEILING
2. OPTIMAL MOUNTING HEIGHT FOR 85" TALL VERSION IS 87" TO 96"
3. OPTIMAL MOUNTING HEIGHT FOR 70" TALL VERSION IS 72" TO 87"
4. MAXIMUM 1" REVEAL ON HORIZONTAL RAIL

DRILL PILOT HOLE 3/32" 12 LOCATIONS

8 FRAME - 30" DEPTH



NOTES:

1. DRAWING VIEW LOOKING UP FROM BOTTOM TOWARDS CEILING
2. OPTIMAL MOUNTING HEIGHT FOR 85" TALL VERSION IS 87" TO 96"
3. OPTIMAL MOUNTING HEIGHT FOR 70" TALL VERSION IS 72" TO 87"
4. MAXIMUM 1" REVEAL ON HORIZONTAL RAIL

DRILL PILOT HOLE 3/32" 16 LOCATIONS

CABINET DESIGN

SCAN CODE WITH PHONE CAMERA BELOW FOR ADDITIONAL HELP

Watch an instructional video on DryAway.net



DryAway.NET

Tap. Zoom. Rotate with the interactive instructions on the BILT app



BILT

LIABILITY

DryAway is not responsible for improper installation, modifications or unintended use of the product.