

Cabinet Design

(Cabinet Not Included)



IMPORTANT! 2 frame ceiling hardware must be installed while building the cabinet or closing off the space

The following cabinet design is the most functional, efficient, and easy way to build a cabinet to house DryAway. The DryAway Cabinet is best constructed with parts instead of building out a typical cabinet box. Think “30-inch-deep end panels” with a solid top to mount the DryAway from. If the cabinet is delivered preassembled it will be difficult to get it into the house. Assemble the cabinet onsite.

PARTS LIST

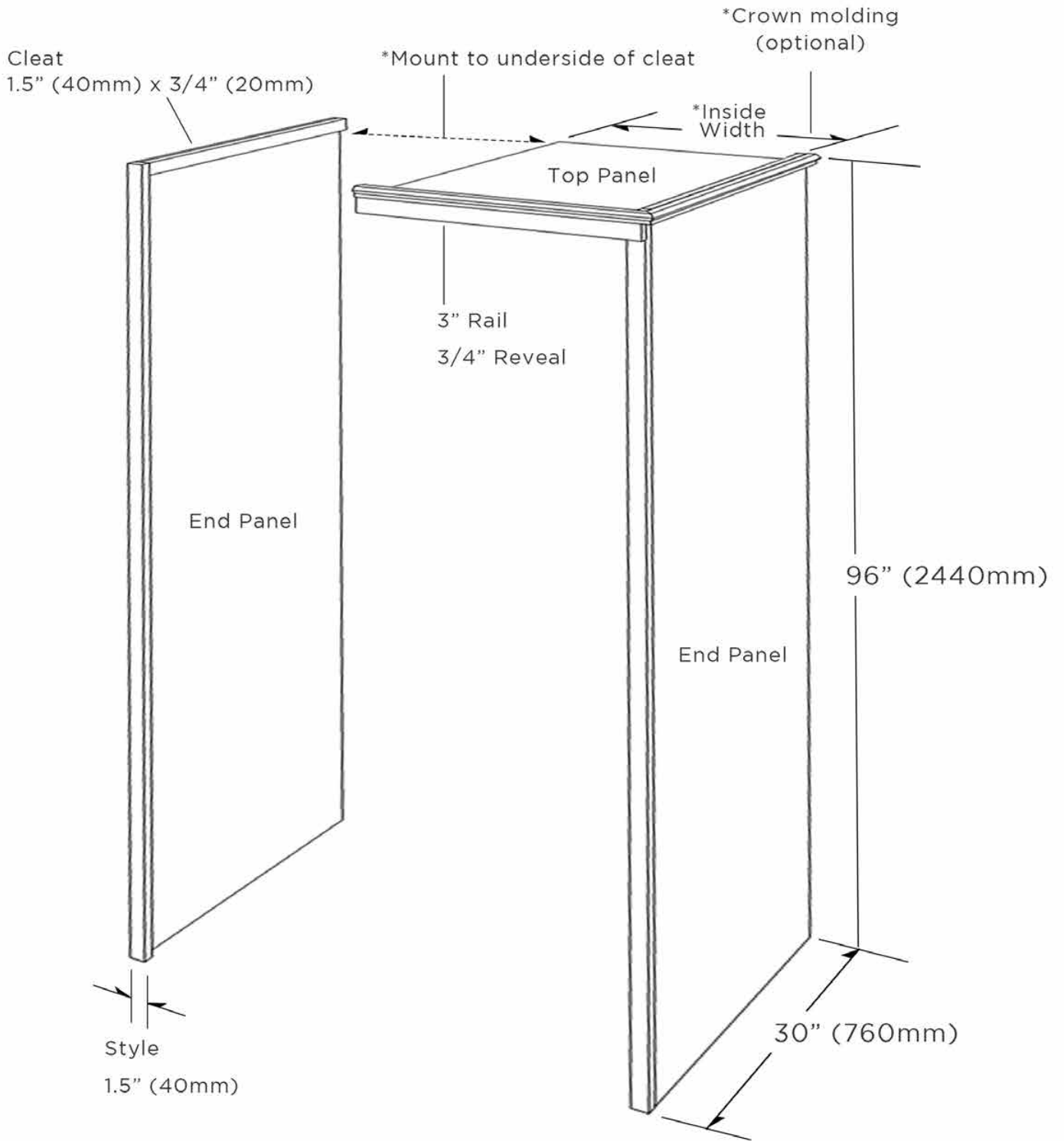
- **End Panels** (30” x 96” x ¾”) one or both sides – “Traditional” with the style or “Frameless” without the style
- **Filler Board** (3” x 6’ x ¾”) – used to make cleats and front rail
- **Crown Molding** as desired
- **Ceiling Panel** (Width [\(see below\)](#) x 30” x ¾”)

Finished Cabinet - Clear Opening Dimensions

- 2 frame – 9”W x 30”D x 90”H (229mm x 672mm x 2286mm)
 - 4 frame – 15”W x 30”D x 90”H (381mm x 672mm x 2286mm)
 - 6 frame – 24”W x 30”D x 90”H (610mm x 672mm x 2286mm)
 - 8 frame – 30”W x 30”D x 90”H (672mm x 672mm x 2286mm)
- (Floor to ceiling height is best between 90” and 96”)

No Cabinet Base. A typical cabinet base will push the clothes drying up 3-4 inches which is small but critical vertical height lost. A design without the cabinet base (toe kick) still provides a high end finished look with the flooring continuing under the cabinet.

No Doors. To guarantee proper drying no doors should be used. Closing off the space will not let the evaporation/moisture out of the space. DryAway with all the frames filled with clothes pushed in, out of sight and out of the way will dry at the same speed as clothes on a typical accordion rack in the middle of the same room. Just evaporation. No fans needed.



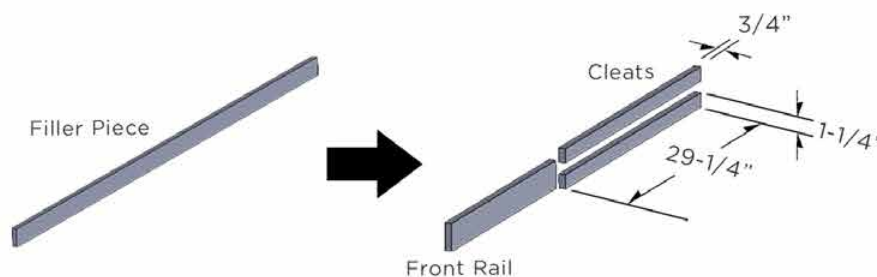
Cabinet Design (Cabinet Not Included)

Step 1

Cut End Panels to size planning for a mounting height (floor to underside of ceiling) between 90" and 96" (2286mm -2438mm)

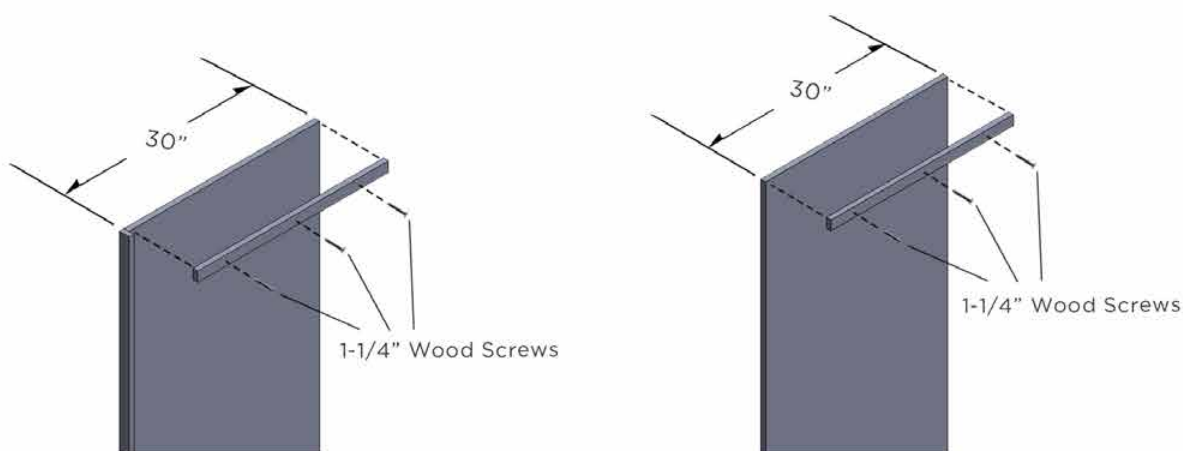
Step 2

Cut a 29-1/4" section off the 3" filler piece and rip in half to make two cleats. The rest of the filler will be used for the top front rail in step 5.



Step 3

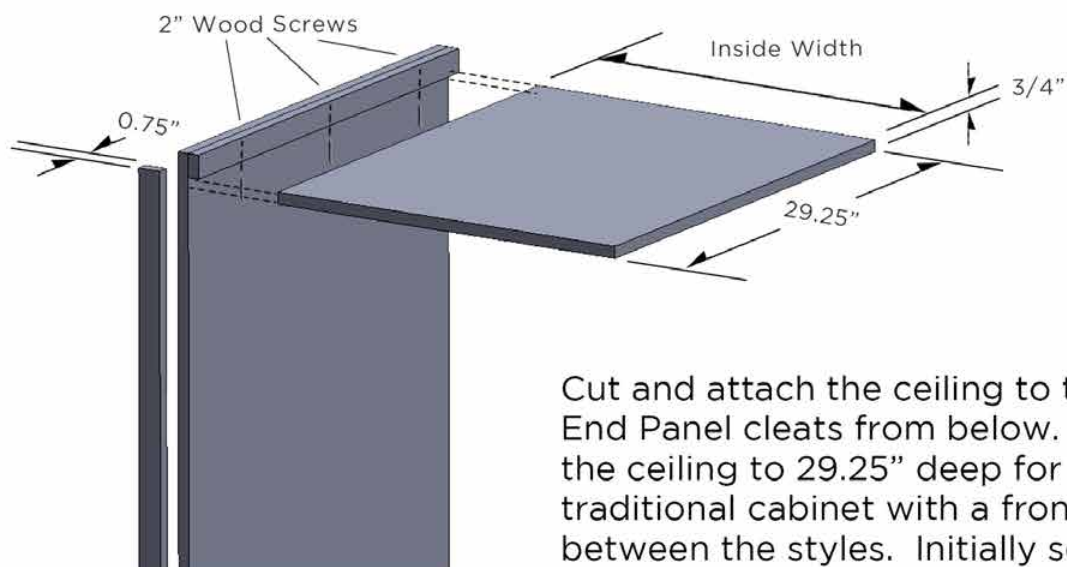
Attach cleats to the end panels with 1-1/4" wood screws



Traditional cabinet
(with style)

Frameless cabinet
(without style)

Step 4



Inside Width

- 2 frame - 9"W
- 4 frame - 15"W
- 6 frame - 24"W
- 8 frame - 30"W

Cut and attach the ceiling to the End Panel cleats from below. Cut the ceiling to 29.25" deep for a traditional cabinet with a front rail between the styles. Initially secure with a nail gun but be sure to use 2" wood screws to provide vertical strength to support the load of DryAway hanging from the ceiling. Again, the ceiling must be made from a solid $\frac{3}{4}$ " thick material.



IMPORTANT! 2 frame ceiling hardware must be installed while building the cabinet or closing off the space

Step 5

Cut and attach the top front rail to fit between the styles. Add crown molding as desired.

